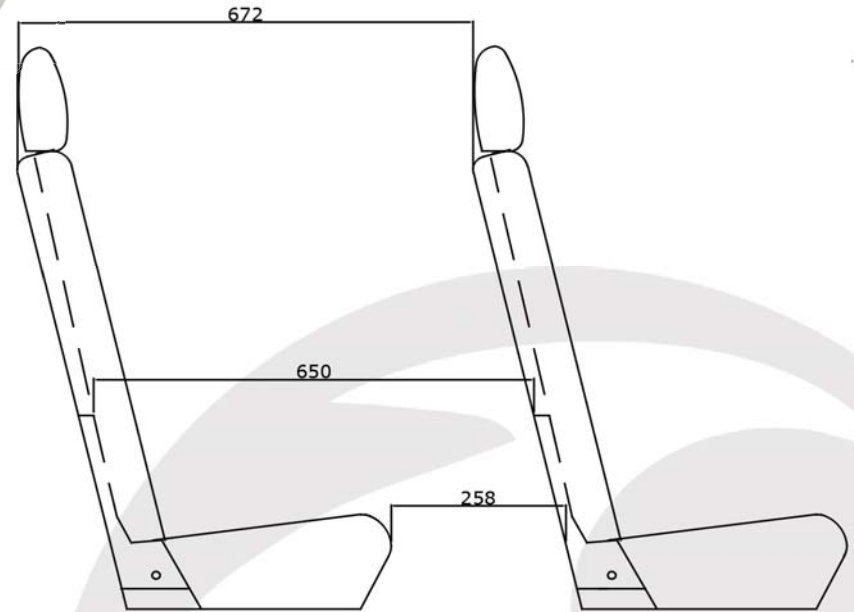


i Standard seat weight measures the seat, seat belt and stalk only

Testing Criteria

Tested to the latest versions of the applicable ECE Regulations

- ECE R.80 for strength of seats and their anchorages.
- ECE R.14 for seatbelt anchorages.
- ECE R.16 for safety belts.
- ECE R.118 concerning burning behaviour and/or capability to repel fuel or lubricant of materials - *M3 category vehicles only*



Weight - 8.5kgs

Attachment Fittings

- Standard fit pedestals
- Unwin standard lockables
- Unwin HALS
- Kollar standard lockables
- NMI Millenium fitting
- Various T bolts

Tested on a wide range of leg heights and centres.

i For full range of leg testing specifications, please enquire through our sales team

Flooring Systems

- Standard fit pedestals
- Unwin standard lockables

i Cushion widths available:
400mm & 425mm on single & double units

