

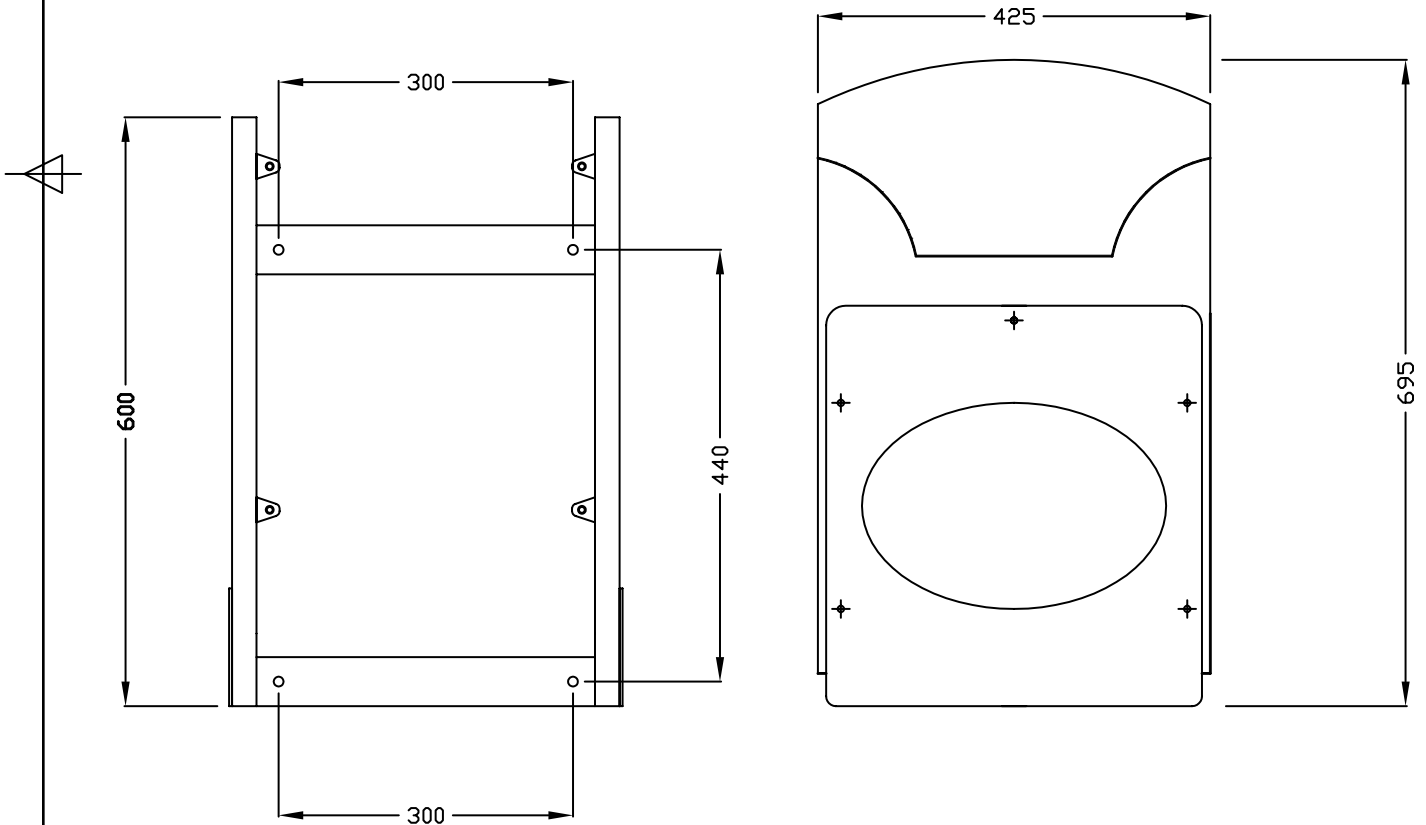
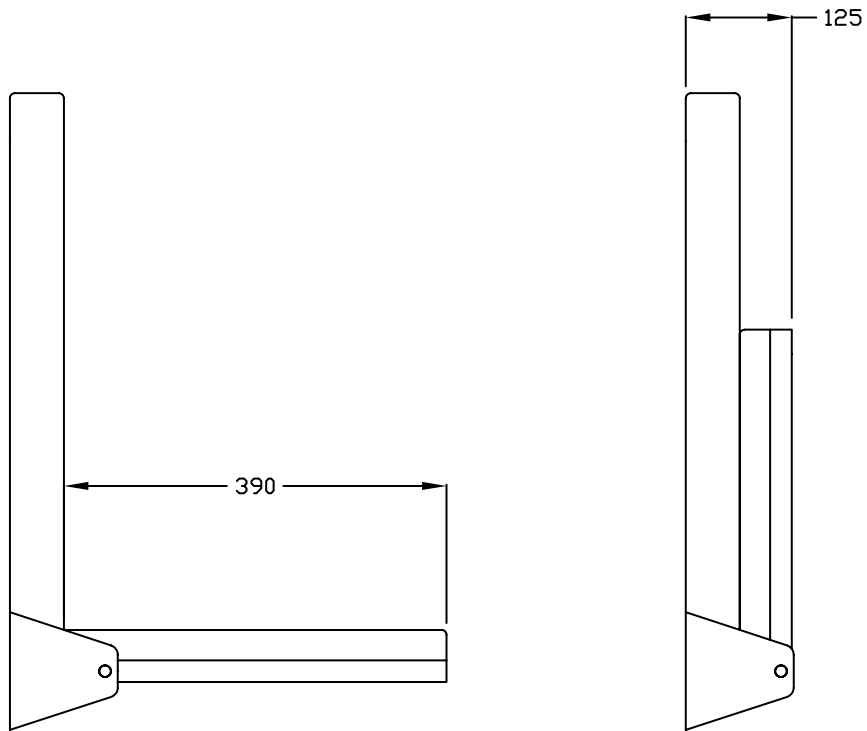
REMOVE ALL BURRS AND SHARP EDGES

DRG ISSUED BY

DATE

DRG No CASPIAN DIMENSIONS

IF IN DOUBT ASK



| | | | | | |
|---|-----------------|------------------------|-----------------------------|--------------------------|----|
| SCALE 1:1 | | THIRD ANGLE PROJECTION | | DIMENSIONS IN MM | |
| Designed by JTH | Drawn by JTH | DATE 22/6/06 | ISSUE LEVEL ISS2 | DATE ISSUE LEVEL CHANGED | |
| THIS DRAWING IS THE PROPERTY OF PHOENIX SEATING LIMITED. IT IS PRIVATE AND CONFIDENTIAL AND MUST NOT BE COPIED OR SHOWN TO A THIRD PARTY UNLESS PRIOR AUTHORISATION IS GIVEN. | | | TITLE CASPIAN DIMENSIONS | | |
| | | | DRG No | CASPIAN DIMENSIONS | A4 |