

# LIFT UP SEAT

---

## FEATURES

---

- Manufactured for the taxi and welfare market, a seat that maximises on space and comfort
- Tested to M3, rear facing seat.
- All ages belt
- Luxury finish

## SPECIFICATION

---

- Available in three finished widths
- Variable leg height
- Variable leg centres
- Retro-fit mountings for arm
- Retro-fit mountings for headrest

## ACCESSORIES

---

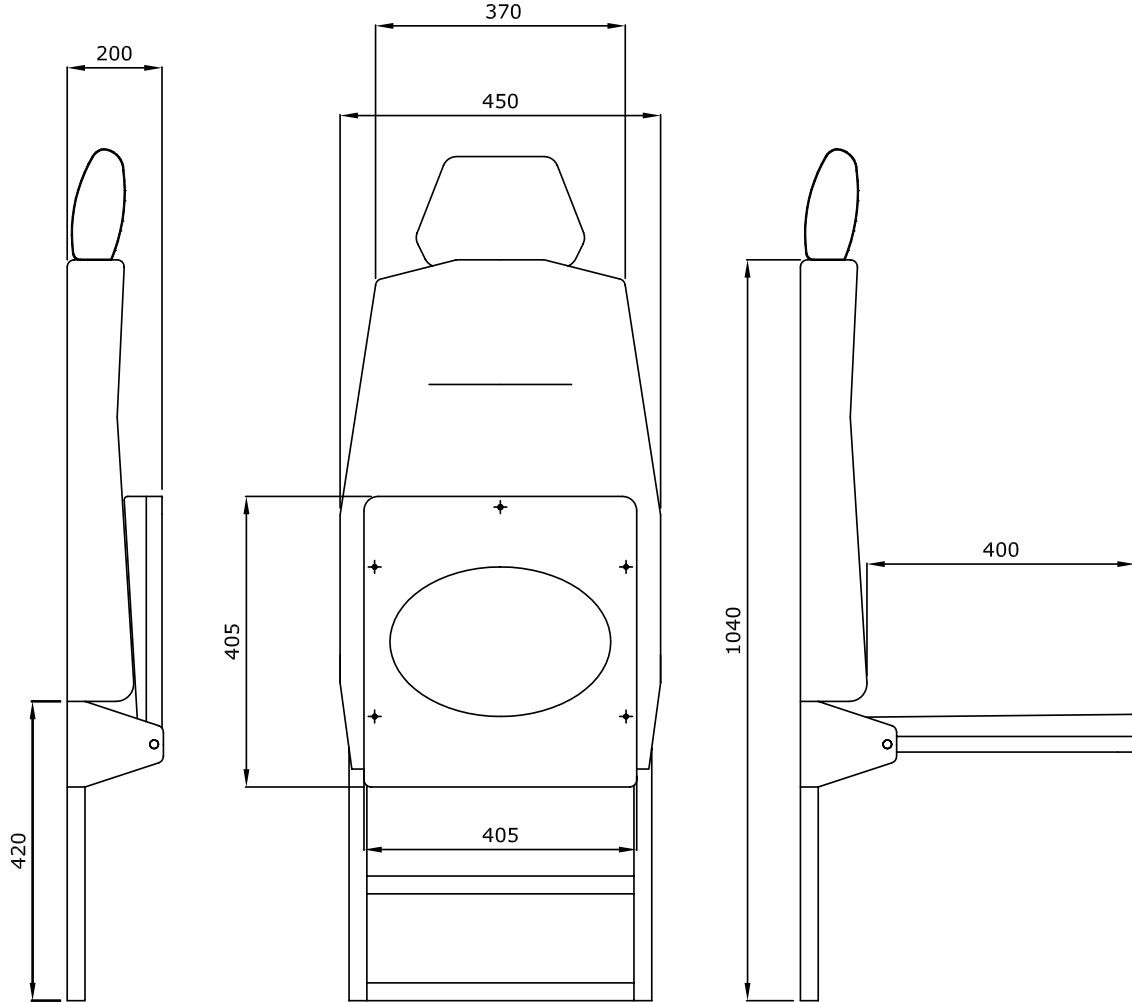
- Open PU headrest in various colours
- Armrest
- All ages belt
- Trimmed headrest





# LIFT UP SEAT

---



## WEIGHT

---

SEAT WITH BELT - 14.5 KGS

## DIMENSIONS

---

Add 150mm to the overall height of the seat by adding either a trimmed or PU Headrest.

## TEST PASSED

---

96/36 Seat Belt Anchorage, 96/38 Seat Belt, EEC Directive 76/115 (As Amended). This seat meets all test load and dimensional criteria for R14. ISOFIX seat tested to R14 & R44. M3 ONLY