

CASPIAN TIP UP

FEATURES

- Manufactured for all markets, the Tip up seat range is intended to be comfortable, stowable and a well engineered seating range.
- The Tip up seats are designed for fixture to the vehicle body or bulkhead.
- Styled to compliment the main range.

SPECIFICATION

- Steel frame with torsion spring seat pad return.
- Available in all trim styles.
- Standard width of 425mm per seatplace.
- Single or double units available.
- Fittings to suit your vehicle specification.

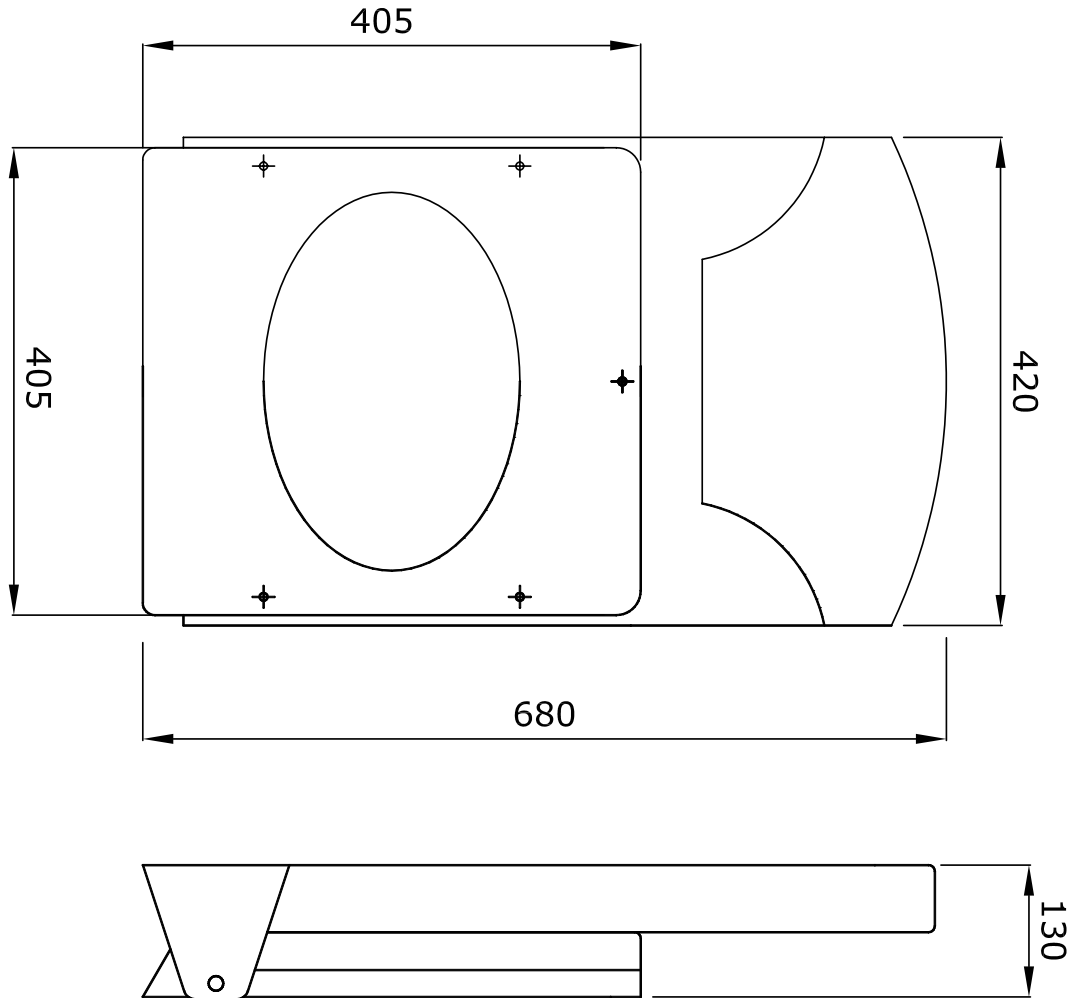
ACCESSORIES

- Armrest.
- ABS cushion.





CASPIAN TIP UP



WEIGHT

SEAT - 8 KGS