

# BLenheim ISOFIX

---

## The Global Safety Standard...

---

Following significant investment in manufacturing and testing, we are proud to introduce the ISOFIX seat. This new variant has been tested at Millbrook to meet static regulation ISO 13216-1 and dynamically tested to permissible conditions of ECE R44-03 specific vehicle approval.

ISOFIX can be fitted to the Blenheim (pictured), Scholar and and Balmoral Ranges. We have designed the seat in conjunction with Britax and the system complements the Britax Duo ISOFIX child seat, which is available in many different trim styles.

ISOFIX has been accepted by car manufacturers for it's simplicity and ease of use. It creates a rigid link between the child seat and the vehicle, removing the need to use adult sized seat belts, therefore reducing the risk of slack installation.

The process of fitting and removing the child seat is also made much faster - a single movement releases the child seat to allow its normal use.



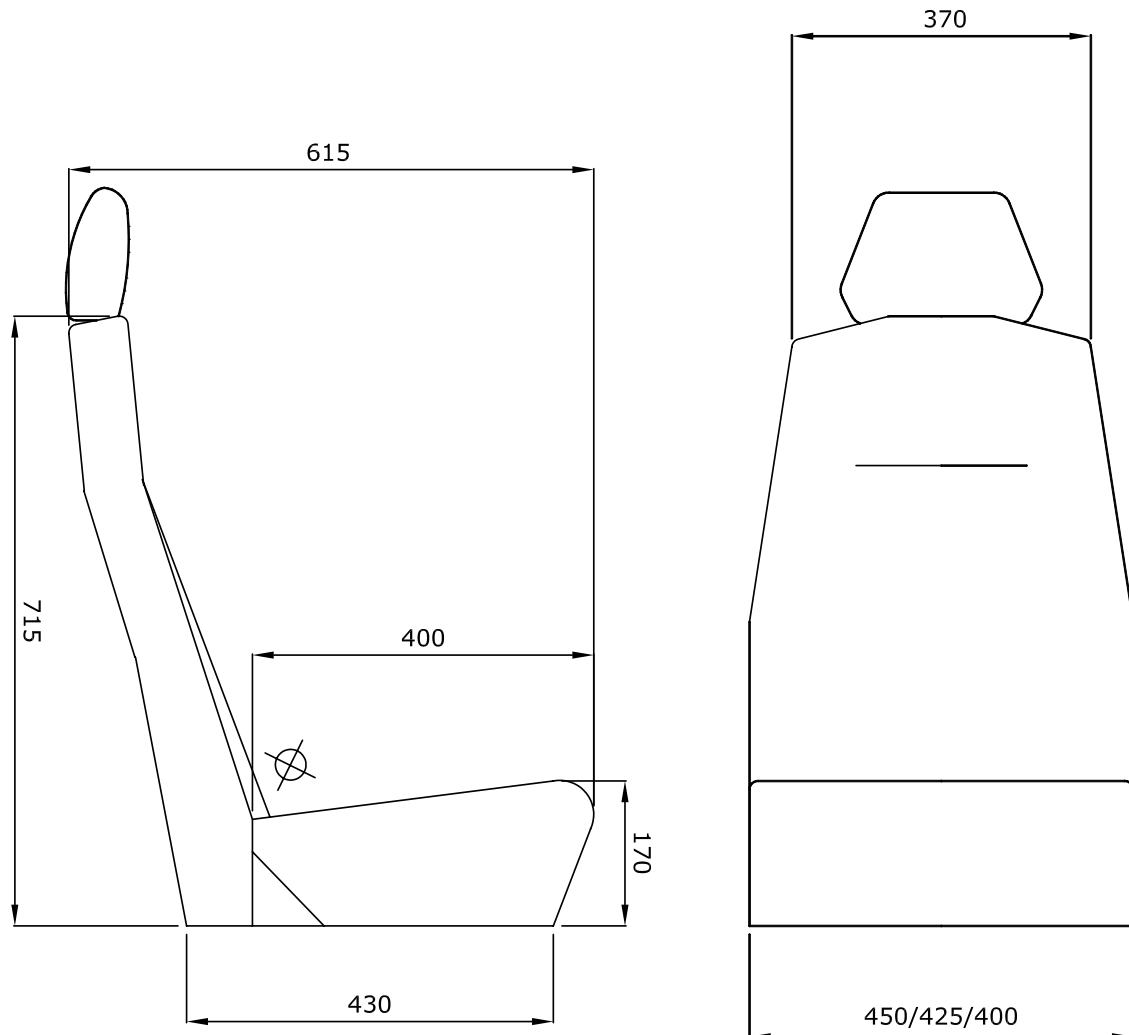
## Authorised Britax Agent

---

Phoenix Seating Limited is an authorised Britax Agent for all their ranges of travel systems.

# BLLENHEIM ISOFIX

---



## WEIGHT

---

SEAT WITH BELT - 13.5 KGS (Legs & Quick Removal Not Included)

## DIMENSIONS

---

Add 150mm to the overall height of the seat by adding either a trimmed or PU Headrest.

## TEST PASSED

---

96/36 Seat Belt Anchorage, 96/37 Dynamic Seat Strength & Rear Impact, 96/38 Seat Belt, EEC Directive 76/115 (As Amended). This seat meets all test load and dimensional criteria for R14. ISOFIX seat tested to R14 & R44. M1, M2 & M3.